

Bublé



	Seat - Assise	Backrests - Dossiers	Structure - Structure	
Upholstering Revetement (9)	Removable <i>Déhoussable</i>	Fabric	Fabric	Fabric
	Not removable <i>Non déhoussable</i>	Artificial Leather	Artificial Leather	Artificial Leather
Padding Rembourrages (2-3-5-6-7)	D.30kg/m³	Tecnoform	Polyurethane foam	ECOSY ETHICALLY SOFT MADE optional

TECHNICAL INFORMATION

Structure: 1

Supporting structure in pinewood of various thicknesses. Remaining parts in class E1 particleboard panels, hardboard or cellulose wood-based panels details.

Springing: 1-4

The back is made of hard or cellulose wooden fibre panels. The seat is supported by propylene and latex elastic belts.

Note:

Modular items cannot be used with Bublé Comfort units.

INFORMATIONS TECHNIQUES

Structure: 1

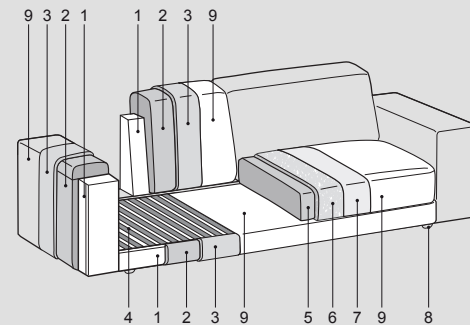
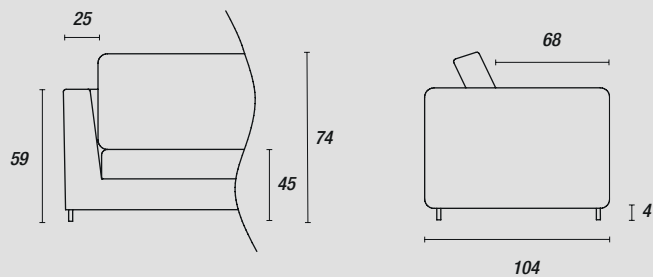
Structure porteuse en bois de pin de différentes épaisseurs. Autres parties en panneaux de particules de bois en classe E1, détails en panneaux de fibre de bois dure ou cellulose.

Suspension: 1-4

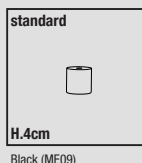
Dossier en panneaux de fibre de bois dure ou cellulose. Assise avec sangles élastiques de fibre propylénique et latex.

Note:

Articles composables non adaptables aux éléments du modèle Bublé confort.



Feet - Pieds::



Bubl  comfort



	Seat - Assise	Backrests - Dossiers	Structure - Structure	
Upholstering Revetement (9)	Removable <i>D�houssable</i>	Fabric	Fabric	Fabric
	Not removable <i>Non d�houssable</i>	Artificial Leather	Artificial Leather	Artificial Leather
Padding Rembourrages (2-3-5-6-7)	D.30kg/m ³	Tecnoform	Polyurethane foam	ECOSY ETHICALLY SOFT MADE optional

TECHNICAL INFORMATION

Structure: 1

Supporting structure in pinewood of various thicknesses. Remaining parts in class E1 particleboard panels, hardboard or cellulose wood-based panels details. Structure completely covered with foam and Tecnoform.

Springing: 1-4

The back is made of hard or cellulose wooden fibre panels. The seat is supported by propylene and latex elastic belts.

Note:

Modular items cannot be used with Bubl  units.
Back-lift mechanism made of high strength steel with gas spring.

INFORMATIONS TECHNIQUES

Structure: 1

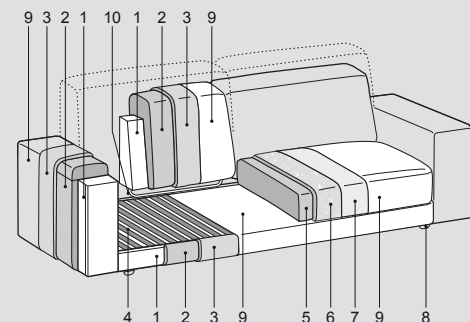
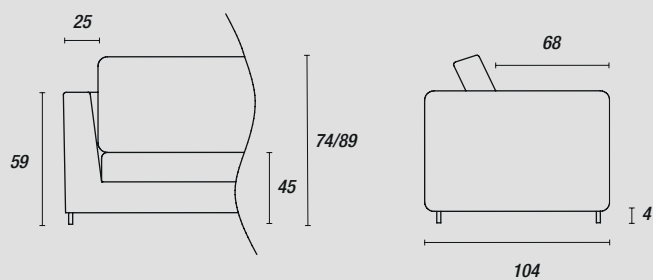
Structure porteuse en bois de pin de diff rentes  paisseurs. Autres parties en panneaux de particules de bois en classe E1, d tails en panneaux de fibre de bois dure ou cellulose. Structure enti rement rev tuee de plaques de polyur thane et Tecnoform

Suspension: 1-4

Dossier en panneaux de fibre de bois dure ou cellulose. Assise avec sangles  lastiques de fibre propyl nique et latex.

Note:

Articles composables non adaptables aux  l ments du mod le Bubl .
M canisme rel ve-dossier en acier haute r sistance avec v rin   gaz.



Feet - Pieds::

